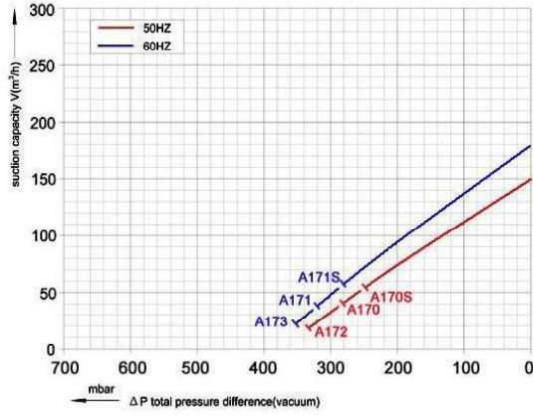


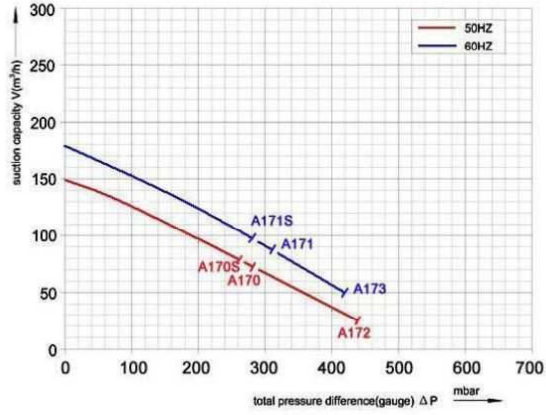


RB40-1-XXX SERIES

Performance curve for vacuum pump

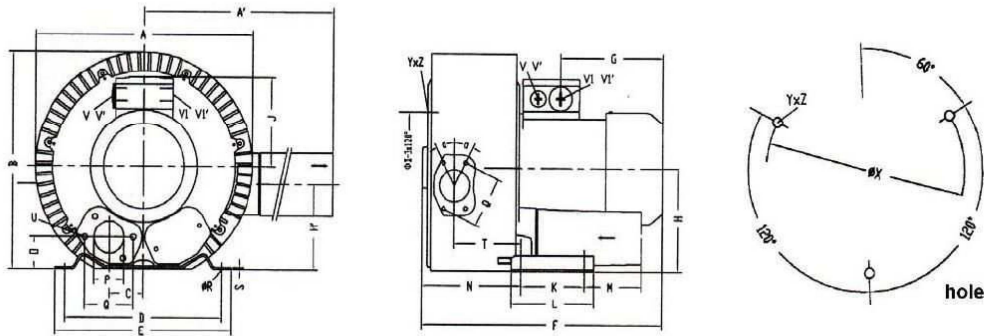


Performance curve for Compressor



curve No	MODEL	Single double stage	Freq Hz	Output power Kw	voltage V	Rated current A	Max airflow m3/h	Max static suction mbar	Max static pressure mbar	Noise dB(A)	Dimension L X W X H mm	weight Kg
A170	RB40-1-7B0	double	50	1.6	200-240Δ 345-415Y	7.5Δ/4.3Y	150	-280	280	66	401 X 321 X 315	24
A171			60	2.05	220-275Δ 380-480Y	7.6Δ/4.4Y	180	-320	310	69		24
A172	RB40-1-8B0	double	50	2.2	200-240Δ 345-415Y	9.7Δ/5.6Y	150	-330	440	66	401 X 321 X 315	27
A173			60	2.55	220-275Δ 380-480Y	10.3Δ/6.0Y	180	-350	420	69		27
A170S	RB40-1-790	double	50	1.5	200-240V	9	150	-260	260	66	401 X 321 X 315	25
A171S			60	1.75	200-240V	9.5	180	-300	290	69		25

Installation for dimension



MODEL	phase	Curve	A	A'	B	C	D	E	F	G	H	H'	J	K	L	M	N	O	P	Q
RB40-1-790	1	A170s/A171s	321	321	315	58	225	255	401	185	154	154	128	95	130	70	151	46	G1½	72
RB40-1-7B0	3	A170/A171																		
RB40-1-8B0	3	A172/A173																		
MODEL	phase	Curve	ØR	S	T	U	V	V'	V1	V1'	a	ØX	Y x Z	X-holes						
RB40-1-790	1	A170s/A171s	12	3	106	M6 x 19		M25 x 1.5	M16 x 1.5	M16 x 1.5	28°	174	M6 x 1.5	51°/171°/291°						
RB40-1-7B0	3	A170/A171																		
RB40-1-8B0	3	A172/A173																		

